



EK1 646-16 New protection against mechanical hazards requirements of blenders

EK1 646-16 GS 认证中食品搅拌器防机械伤害的最新要求

To:	家用搅拌器产品制造商 Blenders manufacturer	Date:	2017.02.10
From:	经续检验技术（东莞）有限公司 中德检测实验室有限公司 Central Point Testing & Technology Co., Ltd. SLG-CPC Testlaboratory Co., Ltd.	Total Pages:	5
Object:	EK1 646-16 GS 认证中食品搅拌器防机械伤害的最新要求。 EK1 646-16 New protection against mechanical hazards requirements of blenders		
Standard:	EN 60335-1, EN 60335-2-14		

According to formal objection from Germany against the standard EN 60335-2-14 _
Blender, New EK1 decision 646-16 has been published on 2017-01-25.

根据德国对标准 EN 60335-2-14 中的搅拌器防机械伤害要求提出的异议, 新的 EK1 646-16
决议已经于 2017-01-25 正式发布了。

Involved products/涉及的产品: Table blenders/台式搅拌器





How can the objection be taken adequately into account when granting the GS mark?

在GS认证中如何充分考虑这些异议呢？

Proposal of solution as below/建议的解决方案如下：

1. EN 60335-2-14, clause 20.2

The first sentence of the third paragraph is modified as follows:

第三段的第一句话修改如下：

“The test probe is not applied to feed openings having a ~~throat with~~ the following dimensions:”

“试验指不适用于具有如下尺寸的有导槽的送料口”

- a height of at least 100 mm, measured from the upper edge of the cutting blade;
从刀具上沿测量，其高度至少为100mm；

- an average of the maximum and minimum cross-sectional dimensions of the feed opening that does not exceed 65,5 mm;

送料口最大和最小截面尺寸的平均值不超过65.5mm；

- a maximum cross-sectional dimension of the feed opening that does not exceed 76 mm.

送料口的最大截面尺寸不超过76mm。

2. EN 60335-2-14, clause 20.2

The following paragraph is deleted:

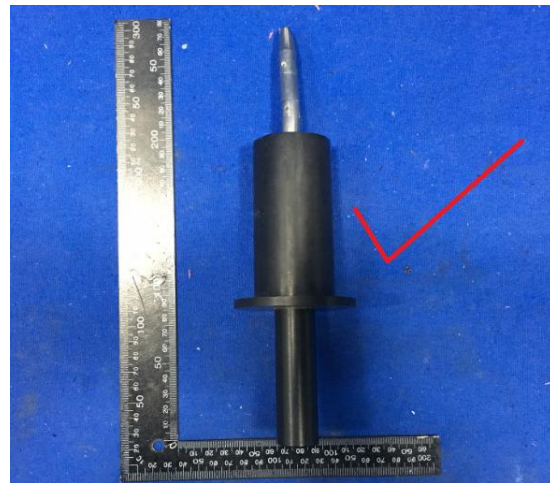
下面这个段落删除了：

~~For blenders, detachable parts, except lids, are not removed. The test is carried out with a test probe similar to that of test probe B of IEC 61032 but having a circular stop face with a diameter of 125 mm instead of the non-circular face, the distance between the tip of the test finger and the stop face being 100 mm.~~

~~对手搅拌机，可拆卸的附件，除了盖，不被移去，试验指采用类似IEC 61032中B型试验探棒，但是用直径为125mm的圆挡板代替非圆挡板，从试验指尖端到挡板的距离为100mm。~~

Note 1: Now if applying for a GS mark certification, the test of protection against mechanical hazards is carried out with a test probe that is similar to test probe B of IEC 61032 but having a circular stop face with a diameter of 50mm, instead of the non-circular face. (Detail pictures as below)

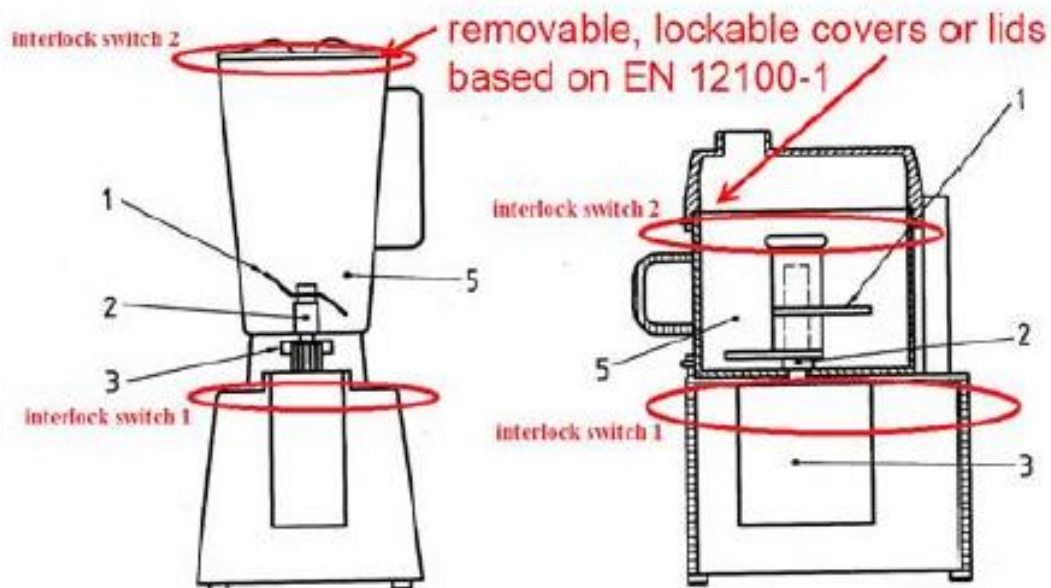
注意1：现在如果申请GS认证，防机械伤害的测试采用类似IEC 61032中B型试验探棒，但该探棒具有个直径为50mm的圆形限位板，以替代原来的非圆形限位板。（图片展示如下）



Note 2: With detachable parts removed, if dangerous moving parts of the blender can be touched with the test probe, interlock switch is required on the products to ensure the cutting blade cannot be operated.

(Position of interlock switch shown as below)

注意2：移去可拆卸的部件，如果搅拌器危险运动部件能被试验探棒触及，那么需要在器具上增加互锁开关（盖子互锁开关2）以保证刀片不动作。（开关位置示意图如下）





3. The sub-clauses 20.112, 20.113 and 20.114 shall be as well applied for the product group blenders during GS Mark application.

GS 认证中，条款20.112， 20.113和20.114应也适用于搅拌机一类产品。

20.112: The cutting blade of food processors shall stop within 1.5 s after the lid has been opened or removed.

食品加工器的切割刀片应在盖子打开或移开后1.5s内停止工作。

20.113: The lid interlock of food processors shall be constructed so that accidental operation of the appliance is prevented. Lid interlock switches shall be biased-off switches.

食品加工器的盖联锁装置的结构应防止器具意外工作。盖联锁开关应该是偏置断开开关。

If there is an interlock between the lid and the main switch, the lid shall be locked when the switch is in the on position. When the lid is not correctly closed, the switch shall be locked in the off position.

若在盖与主开关之间有一联锁装置，则当开关在接通位置时盖子应被锁住。当盖子被不正确关闭时，开关应被锁在断开位置。

20.114: Access to dangerous moving parts of food processors shall be prevented for all combinations of assembly of detachable parts that allow the motor to operate.

在安装可拆卸部件后还能使电机工作的任何情况下都应该防止触及食品加工器的危险运动部件。

Detachable parts are removed or assembled incorrectly in a manner that can occur in use, such as the incorrect location or misalignment of the parts.

根据在使用中可能发生的情况，例如将可拆卸部件移去或错误地安装。

A force not exceeding 5 N is applied to the parts in any direction and it shall not be possible to touch dangerous moving parts with test probe B of IEC 61032.

将不超过5N的力从任何方向施加于部件，IEC 61032中的试验探棒B不能触及危险的运动部件。



This requirement is implemented starting from 2017-01-25 for the GS Mark certification.

对于此类新产品申请的GS认证，该要求从2017年1月25日起施行。

Existing GS Mark certificates for blenders have to be updated to this requirement before 2017-04-24 or they have to be cancelled.

现有的GS证书都要在2017年4月24日之前作更新，按照该要求作考核，否则证书吊销。

Noted: the rights of final explanation to above contents belong to SLG-CPC.

如您对上述要求希望更深入了解，请联系我们：

经续检验技术（东莞）有限公司

中德检测实验室有限公司

Owen Zhan 占志亮

Owen.zhan@cpcteam.com

Manager / Head of CBTL

Product Testing Dept.

Tel: +86 769 22607797 (2521)

Fax: +86 769 22607907

Damon Wu 伍瑞标

Damon.wu@cpcteam.com

Supervisor of household appliance

Tel: +86 769 22607797 (2520)

Fax: +86 769 22607907

By Damon Wu (Damon.wu@cpcteam.com)

Add: No.2, Wu Song Road, Yu Wu Industrial Area, Dongcheng, District,
Dongguan City, Guangdong Province, China 523117

Tel: +86 769 22607797

Fax: +86 769 22607907

<http://www.slg.de.com>

www.cpcteam.com